



Pressure reducer for liquids and gases up to 130 °C

Technical Data

Connection	G 1/2
Nominal Pressure	Inlet PN 16 Outlet PN 2.5
Inlet Pressure	up to 8 bar
Outlet Pressure	0.03 - 0.8 bar in 3 setting ranges
K _{vs} -value	0.2 m ³ /h
Tightness	acc. VDI/VDE-guideline 2174 (leakage rate ≤ 0.05 % of K _{vs} -value)

Description

Medium-controlled pressure reducers are simple control valves offering accurate control while being easy to install and maintain. They control the pressure downstream of the valve without requiring pneumatic or electrical control elements.

The DM 765 pressure reducing valve is a diaphragm-controlled spring-loaded proportional control valve for very small outlet pressures and small volumes.

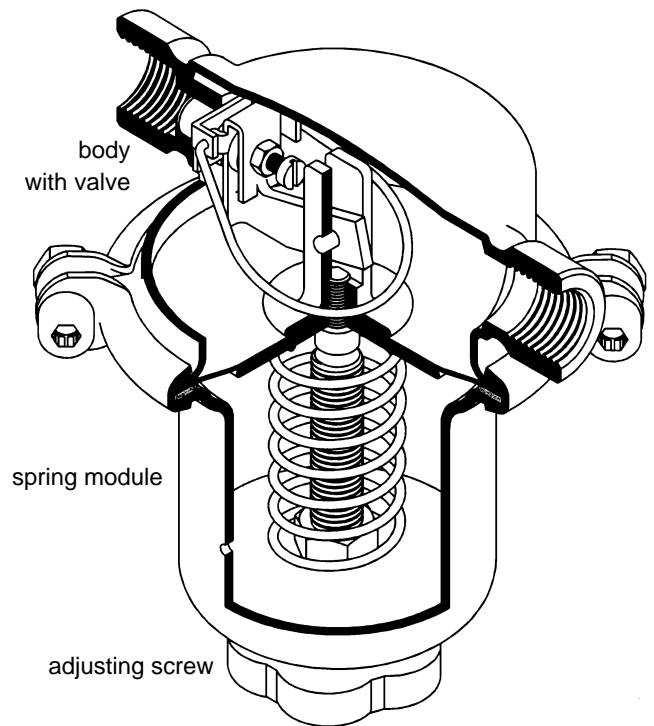
This pressure reducer is manufactured from deep-drawn stainless steel featuring excellent corrosion resistance. The valve cone is fitted with a soft seal.

The spring module comprising bonnet, spring, adjusting screw, diaphragm and internal components, is connected to the valve body only by means of a clamp ring and two bolts. Changing the diaphragm or the complete spring assembly for a different control pressure range is extremely simple and does not call for special tools. The same applies to servicing and maintenance.

The outlet pressure to be controlled is balanced across the diaphragm by the force of the valve spring (set pressure). As the outlet pressure rises above the pressure set using the adjusting screw, the valve cone moves towards the seat and the volume of medium is reduced. As the outlet pressure drops the valve control orifice increases; when the pipeline is depressurised the valve is open. Rotating the adjusting screw clockwise increases the outlet pressure.

For correct functioning the valve requires a minimum pressure drop of 1 bar (p₁ - p₂).

If a larger valve is needed, please select DM 762 (K_{vs} rating up to 3.6 m³/h).



K _{vs} -values [m ³ /h] for all body sizes	
0.2	

Setting Ranges [bar]		
0.03 - 0.12	0.08 - 0.32	0.2 - 0.8

STANDARD EQUIPMENT

- All stainless steel construction
- Quick-release body clamp ring

OPTIONS

- Pressure gauge connection
- Oil and grease-free version for oxygen
- Clean gas version with special connections
- For toxic or hazardous media: sealed bonnet complete with leakage line connection (incl. sealed adjusting screw). Must be installed with a leakage line capable of draining leaking medium safely and without pressure
- Various diaphragm and seal materials suitable for your medium
- Special connections: Aseptic, ANSI or DIN flanges, welding spigots; other connections on request
- Special versions on request

Operating instructions, Know How and Safety instructions must be observed.

The pressure has always been indicated as overpressure.

We reserve the right to alter technical specifications without notice.

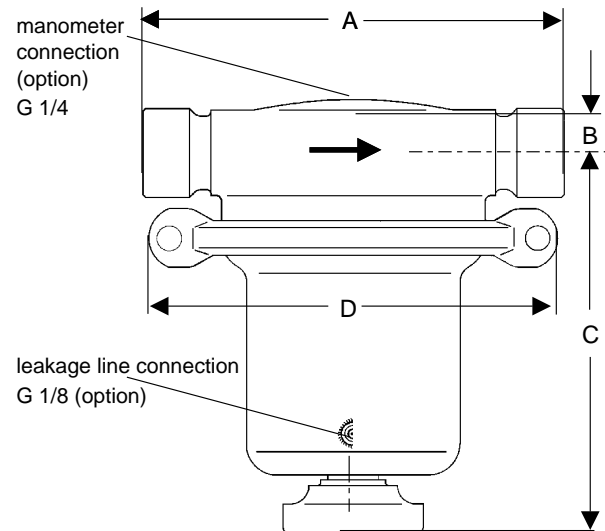
Pressure reducer for liquids and gases up to 130 °C



Materials		
Temperature	80 °C	130 °C
Body, Bonnet, Internals, Screws	CrNiMo-steel	CrNiMo-steel
Spring	CrNi-steel	CrNi-steel
Valve Seal	FPM	FPM
Diaphragm	NBR	EPDM optional FPM

Dimensions [mm]		
size	nominal diameter	
	G 1/2	
A	140	
B	~20	
C	~130	
D	138	

Weights [kg]	
	1.5

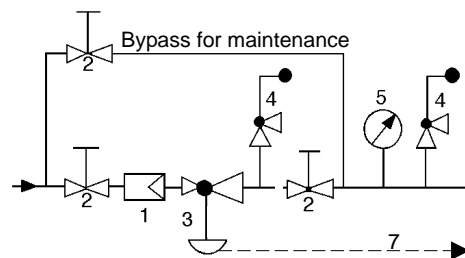


Special designs on request.

The pressure has always been indicated as overpressure.

Mankenberg reserves the right, to alter or improve the designs or specifications of the products described herein without notice.

Recommended Installation



- 1 Strainer
- 2 Shutoff Valves
- 3 Pressure Reducer
- 4 Safety Valve
- 5 Pressure Gauge
- 7 Leakage Line (option)