



Overflow valve for liquids  
up to 130 °C

## Technical data

Connection	DN 50, G 2
Medium	liquids
Nominal Pressure	PN 16
Inlet Pressure	up to 2 - 16 bar in several ranges
$K_{VS}$ -value	12 m <sup>3</sup> /h
Tightness	acc. VDI/VDE-guideline 2174 (leakage rate $\leq 0.05$ % of $K_{VS}$ -value)

## Description

Medium-controlled overflow valves are simple control valves used to relieve pressurised systems of excessive pressure in a controlled way. These valves do not require pneumatic or electrical control components to work reliably. They are easy to install and maintain.

The UV1.9 overflow valve is a seat-controlled spring-loaded valve used to protect pump systems or other pressurised vessels or pipelines. The set pressure is continuously adjustable from the outside.

Its special feature is its very compact design. The valve cone has a hard seal (metallic seal). The valve is manufactured from deep-drawn CrNiMo stainless steel featuring excellent corrosion resistance.

Thanks to its angled form the valve drains automatically, ensuring that medium cannot freeze in the valve (Frost protection without special draining).

Pilot lines are not required.

## STANDARD EQUIPMENT

- all stainless steel construction
- valve body manufactured from high performance deepdrawn materials
- seat-controlled
- angled design, no dead pockets, self-draining
- surface roughness  $R_a \leq 3,2 \mu\text{m}$
- preset at the factory
- tamper-proof

## OPTIONS

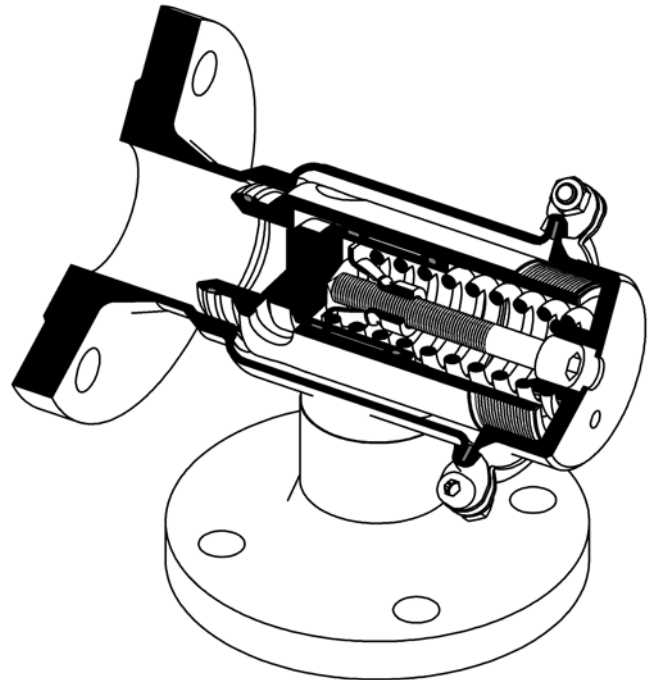
- replacement spring module available

## APPLICATIONS

- as pump protection valve
- as pressure surge limiter

Operating instructions, Know How and Safety instructions must be observed.

The pressure has always been indicated as overpressure.  
We reserve the right to alter technical specifications without notice.



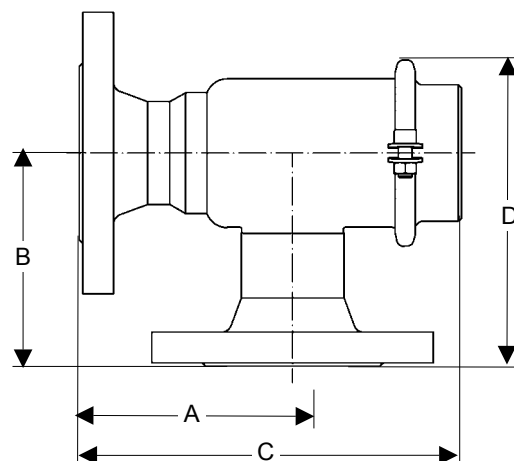
Overflow valve for liquids  
up to 130 °C



Materials	
Temperature	130 °C
Body	CrNiMo-steel
Spring	CrNiMo-steel
Main Valve Valve Seal	metallic
Elastomeres	EPDM (PTFE or FPM option)

Dimensions [mm]		
size	nominal diameter DN	
	50	
A	125	
B	125	
C	224	
D	190	

Weights [kg]	
nominal diameter DN	
50	
10	



Special designs on request.

The pressure has always been indicated as overpressure.

Mankenberg reserves the right, to alter or improve the designs or specifications of the products described herein without notice.

